

Design Questionnaire

RUNNER DETERMINATION



The following design questionnaire easily enables you to send us the necessary data and specifications for our design services.

You need to fill in the fields enabling us to handle your requirement. We only use the provided information to accomplish your design request. To do this, we save the data you have entered and forward it

internally to the relevant members of staff. Fundamentally we do not forward your details to any third party

Refer to our Privacy Statement to obtain more information about data protection in our company:

Your contact details

Name, first name

Company

Postal code, city

PLZ, Ort

Street

Phone

E-Mail

Team application technology

We are happy to provide free, non-binding advice on the selection of a suitable material for your runner.

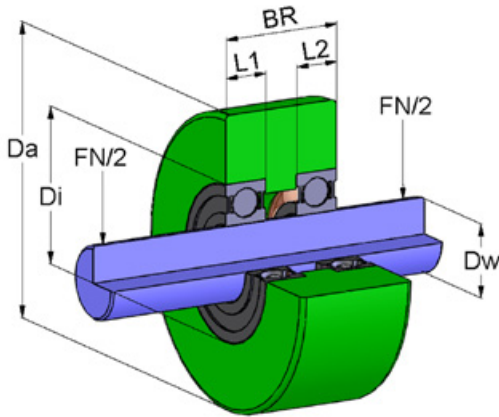
Please send the filled in form to:

Do you have any questions?

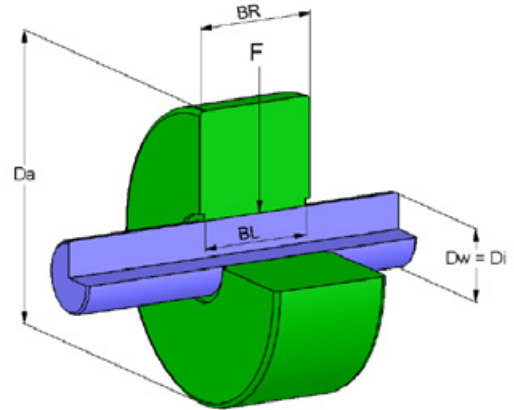
+49 (2 31) 2 06 09-0

Your application details

Type of bearing



Roller bearing



Slide bearing

Bearing width **BL** ($L_1 + L_2 + \dots$)

mm

Runner width **BR**

mm

Revolution speed **n** *or*

min^{-1}

Runner outside diameter **Da**

mm

Peripheral speed **v_u**

m/s

Runner inside diameter **Di**

mm

Max. standstill under soad

h

Runner load **F**

N

Ambient temperature

°C

Remarks